

Instruction Manual



**TCA-1MEG
High Impedance Buffer Amplifier
071-1010-00**

Copyright © Tektronix, Inc. All rights reserved.

Tektronix products are covered by U.S. and foreign patents, issued and pending. Information in this publication supercedes that in all previously published material. Specifications and price change privileges reserved.

Tektronix, Inc., P.O. Box 500, Beaverton, OR 97077

TEKTRONIX, TEK, TEKPROBE, and TekConnect are registered trademarks of Tektronix, Inc.

WARRANTY

Tektronix warrants that this product will be free from defects in materials and workmanship for a period of one (1) year from the date of shipment. If any such product proves defective during this warranty period, Tektronix, at its option, either will repair the defective product without charge for parts and labor, or will provide a replacement in exchange for the defective product.

In order to obtain service under this warranty, Customer must notify Tektronix of the defect before the expiration of the warranty period and make suitable arrangements for the performance of service. Customer shall be responsible for packaging and shipping the defective product to the service center designated by Tektronix, with shipping charges prepaid. Tektronix shall pay for the return of the product to Customer if the shipment is to a location within the country in which the Tektronix service center is located. Customer shall be responsible for paying all shipping charges, duties, taxes, and any other charges for products returned to any other locations.

This warranty shall not apply to any defect, failure or damage caused by improper use or improper or inadequate maintenance and care. Tektronix shall not be obligated to furnish service under this warranty a) to repair damage resulting from attempts by personnel other than Tektronix representatives to install, repair or service the product; b) to repair damage resulting from improper use or connection to incompatible equipment; or c) to service a product that has been modified or integrated with other products when the effect of such modification or integration increases the time or difficulty of servicing the product.

THIS WARRANTY IS GIVEN BY TEKTRONIX WITH RESPECT TO THIS PRODUCT IN LIEU OF ANY OTHER WARRANTIES, EXPRESSED OR IMPLIED. TEKTRONIX AND ITS VENDORS DISCLAIM ANY IMPLIED WARRANTIES OF MERCHANTABILITY OR FITNESS FOR A PARTICULAR PURPOSE. TEKTRONIX' RESPONSIBILITY TO REPAIR OR REPLACE DEFECTIVE PRODUCTS IS THE SOLE AND EXCLUSIVE REMEDY PROVIDED TO THE CUSTOMER FOR BREACH OF THIS WARRANTY. TEKTRONIX AND ITS VENDORS WILL NOT BE LIABLE FOR ANY INDIRECT, SPECIAL, INCIDENTAL, OR CONSEQUENTIAL DAMAGES IRRESPECTIVE OF WHETHER TEKTRONIX OR THE VENDOR HAS ADVANCE NOTICE OF THE POSSIBILITY OF SUCH DAMAGES.

Table of Contents

General Safety Summary	v
Service Safety Summary	vii
Preface	ix
Manual Structure	ix
Manual Conventions	x
Contacting Tektronix	xi
Getting Started	1
Product Description	1
Accessories	3
Input Voltage Derating	4
Probe Calibration for High Accuracy	4
Functionality Not Supported	5
Installation	6
Connecting the TCA-1MEG to the Host Instrument	6
Connecting a Probe to the TCA-1MEG	8
Attaching and Grounding a TCA-1MEG System	9
Functional Overview	10
Cleaning	12
Functional Checks	13
Calibrate the TCA-1MEG to the Host Instrument	16
LF Probe Compensation (Optional Check)	17
Check Vertical Input Coupling	20
Check Bandwidth Limit	24
Specifications	29
Performance Verification	39
TCA-1MEG System Bandwidth	40
Replaceable Parts	45
Parts Ordering Information	45
Using the Replaceable Parts List	46

List of Figures

Figure 1: TCA-1MEG High Impedance Buffer Amplifier	1
Figure 2: Connecting and disconnecting the TCA-1MEG	7
Figure 3: Calibration data message	7
Figure 4: TekConnect and TEKPROBE Interface features. . . .	10
Figure 5: Simplified block diagram	11
Figure 6: Probe Compensation Output of the TDS6604	14
Figure 7: Setup with the P6139A attached to the TCA-1MEG	18
Figure 8: Probe compensation waveforms	19
Figure 9: Test equipment hookup for the Vertical Input Coupling and Bandwidth Limit checks	20
Figure 10: Typical waveform at GND	21
Figure 11: Typical waveform at AC Coupling	22
Figure 12: Typical waveform at DC Coupling	23
Figure 13: Typical waveform at Full (500 MHz) bandwidth . . .	25
Figure 14: Typical waveform at 100 MHz bandwidth	26
Figure 15: Typical waveform at 20 MHz bandwidth	27
Figure 16: Typical Input Impedance and Phase versus Frequency	31
Figure 17: Voltage Derating versus Frequency	32
Figure 18: TCA-1MEG dimensions	33
Figure 19: TCA-1MEG System Bandwidth equipment hookup	40
Figure 20: TCA-1MEG replaceable parts	48
Figure 21: TCA-1MEG optional accessories	50

List of Tables

Table 1: Compatible devices that require high impedance input	3
Table 2: Warranted electrical specifications	29
Table 3: Typical electrical characteristics	30
Table 4: Physical characteristics	33
Table 5: Environmental characteristics	34
Table 6: Certifications and compliances	34
Table 7: Equipment required for performance verification ...	39

General Safety Summary

Review the following safety precautions to avoid injury and prevent damage to this product or any products connected to it. To avoid potential hazards, use this product only as specified.

Only qualified personnel should perform service procedures.

To Avoid Fire or Personal Injury

Connect and Disconnect Properly. Connect TCA-1MEG amplifier to the host instrument, then connect the probe or other input device to the TCA-1MEG. Connect the probe or other input device to the device-under-test.

Before disconnecting TCA-1MEG from the host instrument, disconnect the probe or other input device, and the probe ground, from the device-under-test, and then disconnect the probe or other input device from the TCA-1MEG amplifier.

Ground the Product. This product is indirectly grounded through the grounding conductor of the host instrument power cord. To avoid electric shock, the grounding conductor must be connected to earth ground. Before making connections to the input or output terminals of the product, ensure that the product is properly grounded.

Observe All Terminal Ratings. To avoid fire or shock hazard, observe all ratings and markings on the product. Consult the product manual for further ratings information before making connections to the product.

The common terminal is at ground potential. Do not connect the common terminal to elevated voltages.

Connect the ground lead of the probe to earth ground only.

Do Not Operate With Suspected Failures. If you suspect there is damage to this product, have it inspected by qualified service personnel.

Do Not Operate in Wet/Damp Conditions.

Do Not Operate in an Explosive Atmosphere.

Keep Product Surfaces Clean and Dry.

Provide Proper Ventilation. Refer to the manual's installation instructions for details on installing the product so it has proper ventilation.

Safety Terms and Symbols

Terms in This Manual. These terms may appear in this manual:



WARNING. *Warning statements identify conditions or practices that could result in injury or loss of life.*



CAUTION. *Caution statements identify conditions or practices that could result in damage to this product or other property.*

Terms on the Product. These terms may appear on the product:

DANGER indicates an injury hazard immediately accessible as you read the marking.

WARNING indicates an injury hazard not immediately accessible as you read the marking.

CAUTION indicates a hazard to property including the product.

Symbols on the Product. These symbols may appear on the product:



CAUTION
Refer to Manual



Service Safety Summary

Only qualified personnel should perform service procedures. Read this *Service Safety Summary* and the *General Safety Summary* before performing any service procedures.

Do Not Service Alone. Do not perform internal service or adjustments of this product or host instrument unless another person capable of rendering first aid and resuscitation is present.

Disconnect Power. To avoid electric shock, switch off the host instrument power, then disconnect the host instrument power cord from the mains power.

Use Care When Servicing with Power On. Dangerous voltages or currents may exist in this product and host instrument. Disconnect power, remove battery (if applicable), and disconnect test leads before removing protective panels, soldering, or replacing components.

To avoid electric shock, do not touch exposed connections.



Preface

This is the Instruction manual for the TCA-1MEG High Impedance Buffer Amplifier. Read this preface to learn how this manual is structured and what conventions it uses. Before using this manual or the TCA-1MEG amplifier, read the *General Safety Summary* and *Service Safety Summary* sections at the beginning of this manual for safety and other important background information.

Manual Structure

This manual is divided into sections, which are made of related topics:

- *Getting Started* includes a product description, list of accessories, and instructions for installation.
- *Functional Checks* includes procedures for verifying that the TCA-1MEG functions properly with a host instrument.
- *Specifications* includes warranted electrical specifications, typical electrical characteristics, and graphs for typical input impedance, and typical bandwidth.
- *Performance Verification* includes a procedure for verifying warranted electrical specifications.

NOTE. *Service software for this instrument is included on the TDS Applications CD ROM (Tektronix part number 063-3376-XX) for your host instrument, and is also available for download from the Tektronix website.*

Be sure to read the introductory text for each procedure. These introductions provide important information needed to use the TCA-1MEG High Impedance Buffer Amplifier correctly, safely, and efficiently.

Manual Conventions

The following conventions are used in this manual:

Safety

Symbols and terms related to safety appear in the *Service Safety Summary* found at the beginning of this manual.

Contacting Tektronix

Phone	1-800-833-9200*
Address	Tektronix, Inc. 14200 SW Karl Braun Drive P.O. Box 500 Beaverton, OR 97077 USA
Web site	www.tektronix.com
Sales support	1-800-833-9200, select option 1*
Service support	1-800-833-9200, select option 2*
Technical support	Email: techsupport@tektronix.com 1-800-833-9200, select option 3* 6:00 a.m. - 5:00 p.m. Pacific time

* **This phone number is toll free in North America. After office hours, please leave a voice mail message. Outside North America, contact a Tektronix sales office or distributor; see the Tektronix web site for a list of offices.**

Getting Started

Product Description

The TCA-1MEG is a High Impedance Buffer Amplifier system that broadens the functionality of a TekConnect host instrument. Features include:

- Input impedance — 1 M Ω , 10 pF
- Bandwidth — 500 MHz
- Bandwidth limit (selectable) — Full (500 MHz), 100 MHz, and 20 MHz
- Input coupling (selectable) — AC, DC, and GND
- Input Connection — 1 Ω TEKPROBE BNC

The TCA-1MEG amplifier, or other Tektronix TekConnect probes and adapters, enable you to easily configure each channel of your host instrument for the input characteristics you require.

To achieve a 1 M Ω system when you need it, use this amplifier to connect a Tektronix 1 M Ω TEKPROBE BNC probe or other standard 1 M Ω BNC accessory to your 50 Ω TekConnect host instrument. To regain your high-speed, 50 Ω signal path, simply replace the TCA-1MEG with a high performance TekConnect probe or adapter.

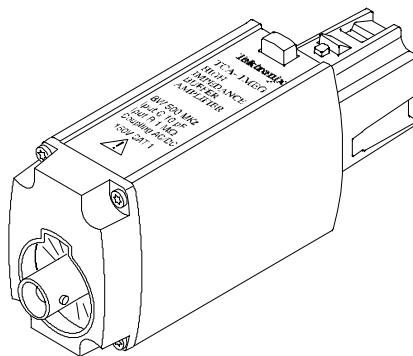


Figure 1: TCA-1MEG High Impedance Buffer Amplifier

Table 1 lists Tektronix high-voltage passive probes, high-voltage active probes, current probes, and other measurement analysis tools that require high impedance input. Use these devices with the TCA-1MEG to extend the use of your TekConnect host instrument.

Table 1: Compatible devices that require high impedance input

Device type	Model	Description
Passive voltage probes	P6101B	15 MHz, 1X, passive
	P6139A	500 MHz, 10X, passive
High voltage probes	P6015A	20 kV, 1000X, 75 MHz, passive
	P5100	2.5 kV, 100X, 250 MHz, passive
	P5205	1.3 kV, 100 MHz, active differential
	P5210	4.4 kV, 50 MHz, active differential
Micro-volt differential probe	ADA400A	100X / 10X / 1X / 0.1X preamplifier
Current probes	P6021	AC, 15 A _{p-p} , 60 MHz
	P6022	AC, 6 A _{p-p} , 120 MHz
	AM503S	AC/DC current amplifier measurement system
Others	Tektronix part number 012-0057-01	50 Ω BNC to BNC coaxial cable
	Tektronix part number 011-0049-02	50 Ω feed through termination
	Tektronix part number 012-0482-00	50 Ω BNC to BNC coaxial cable, male to male

Accessories

The TCA-1MEG amplifier package has a set of standard accessories.

Standard Accessories for the TCA-1MEG

These accessories are:

- P6139A 10X Passive Probe with standard accessories and Instructions
- Certificate of Traceable Calibration
- *TCA-1MEG High Impedance Buffer Amplifier Instruction Manual* (Tektronix part number 071-1010-XX)
- TDS6000 Series Product Software (Tektronix part number 063-3541-XX), also available on the Tektronix website
- TDS7000 Series Product Software (Tektronix part number 063-3461-XX), also available on the Tektronix website

Optional Accessories for the TCA-1MEG

Service software for the TCA-1MEG is included on the TDS Applications Software CD for your host instrument. The CD is also available as an optional accessory for the TCA-1MEG (Tektronix part number 063-3376-XX). The software is also available for download from the Tektronix website. The Tektronix website provides up-to-date firmware and software upgrades.

Input Voltage Derating

The TCA-1MEG is designed to be used in a high voltage environment. However, voltage input rating decreases as the frequency of the applied signal increases. Refer to Table 2 on page 29 of the *Specifications* section for input voltage rating, and Figure 17 on page 32 for voltage versus frequency derating information.

Probe Calibration for High Accuracy

To ensure high accuracy, a probe calibration routine is recommended for the TCA-1MEG:

- When the ambient temperature changes by more than 5 °C (9 °F) from the temperature of the previous calibration
- When you install the TCA-1MEG on a host instrument channel where it has not been calibrated previously

Refer to page 16 of the *Functional Checks* section for the probe calibration procedure.

Probes or adapters with the following characteristics will not calibrate using the internal calibration signal of the TekConnect host instrument:

- Probes or adapters without TEKPROBE readout capabilities
- Probes with attenuation levels greater than 20X, due to the low signal level at the output of the internal calibration generator

Functionality Not Supported

50 Ω Termination at BNC input:

The TCA-1MEG amplifier does not provide a 50 Ω termination at its BNC input. If you require 50 Ω termination for your applications, use a Tektronix TekConnect 50 Ω adapter (TCA-BNC, TCA-SMA, or TCA-N) in place of TCA-1MEG. When the host instrument detects an incompatible device connected to the TCA-1MEG, it displays a message that an incompatible combination of accessories has been installed. The host instrument, however, will not detect all incompatible devices.

Readout and Power Connection Pins

The BNC connector of the TCA-1MEG is not compatible for use with nonTektronix probes, cables, and adapters that have readout or power connection pins.



CAUTION. *To avoid damage to your equipment, do not use the TCA-1MEG with nonTektronix probes, cables, and adapters that have readout or power connection pins.*

Installation

The TCA-1MEG connects directly to the TekConnect interface on the TekConnect host instrument.

Firmware Requirements

To ensure compatibility of your TekConnect host instrument with the TCA-1MEG, your host instrument (for example, TDS6000, TDS7000, or CSA7000 series) must have the firmware upgrade V2.1.0 or higher.



CAUTION. *To avoid instrument malfunctions, do not overwrite V2.1.0 or higher firmware with an earlier version of firmware. Doing so would require reinstallation of up-to-date firmware on the host instrument.*

Firmware upgrade instructions are available on the CD ROMs included with the TCA-1MEG. The upgrades are also available on the Tektronix website at www.tektronix.com. Select the *Software & Drivers* link on the home page of the website. The Tektronix website provides up-to-date software and firmware upgrades.

Connecting the TCA-1MEG to the Host Instrument

The TekConnect Interface features a spring-loaded latch that provides audible and tactile confirmation that a reliable connection has been made to the TekConnect host instrument. Slide the TCA-1MEG into the TekConnect receptacle on the host instrument. The unit snaps into the host instrument when fully engaged. See Figure 2 on page 7.

To release the TCA-1MEG from the host instrument, grasp the unit, depress the latch button, and pull it out of the TekConnect receptacle.

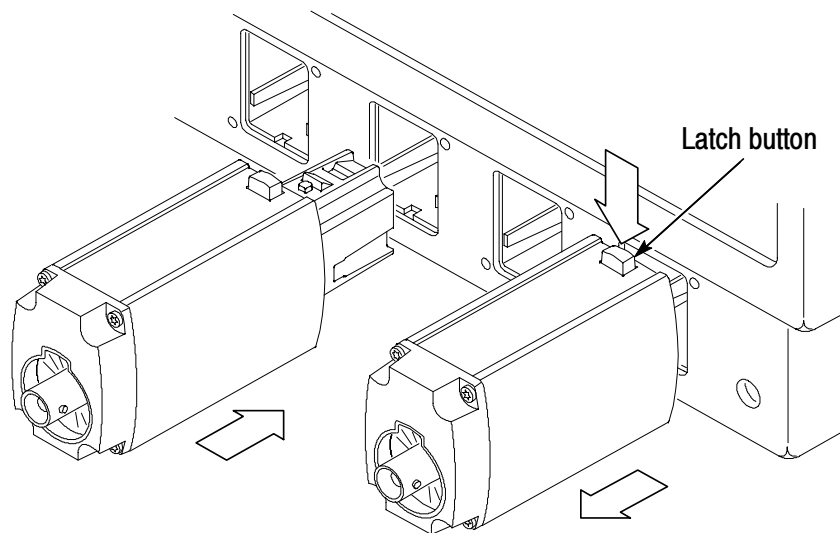


Figure 2: Connecting and disconnecting the TCA-1MEG

NOTE. If you connect the TCA-1MEG to a channel where it has already been probe calibrated, a message similar to the one shown in Figure 3, below, may appear on the display screen. Follow the instructions on the message.

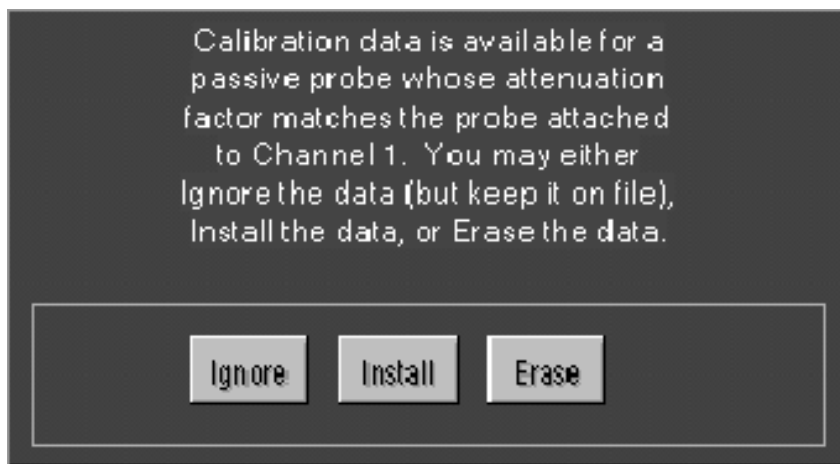


Figure 3: Calibration data message

Connecting a Probe to the TCA-1MEG

Before you connect a probe or other device, ensure that the device is compatible with the TCA-1MEG. Refer to *Functionality Not Supported* on page 5 of the *Getting Started* section.

Follow the instructions in your probe manual for connecting your probe or other device to a TEKPROBE BNC connector.

NOTE. *The maximum V/division setting with a 1X probe, or with no probe, is 10 V/division. The Volts/division of the host instrument may change when you connect probes with different attenuation factors.*

Before connecting a probe or other device to the TCA-1MEG, always refer to the list of compatible devices in Table 1 on page 2.

Attaching and Grounding a TCA-1MEG System

Always use these procedures for safely connecting and disconnecting the TCA-1MEG and probe to the circuit under test.



WARNING. *To avoid fire or personal injury, connect the TCA-1MEG and probe output to the measurement instrument before connecting the probe or other input device to the circuit under test. Disconnect the probe input and probe ground from the circuit under test before disconnecting the probe or the TCA-1MEG from the measurement instrument.*

After connecting the TCA-1MEG to the host instrument and connecting a probe to TCA-1MEG, connect the ground lead of the probe to the ground of the circuit under test before taking any measurements.

Be careful that no part of the ground lead or probe grounding ring contacts voltage in the circuit under test. Except for the probe tip and BNC center conductor, all accessible metal (including the ground clip) is connected to the BNC outer shell and is considered earth ground.

Functional Overview

The TekConnect-to-TEKPROBE Interface

TCA-1MEG is powered through the Tektronix TekConnect Interface. The TekConnect Interface provides a communication path through contact pins on the host instrument. Power, signal, offset, and probe characteristic data transfer through the interface to the host instrument. Refer to Figure 4, below, for TekConnect and TEKPROBE interface features. Also, refer to your oscilloscope or probe documentation for more detailed specifications.

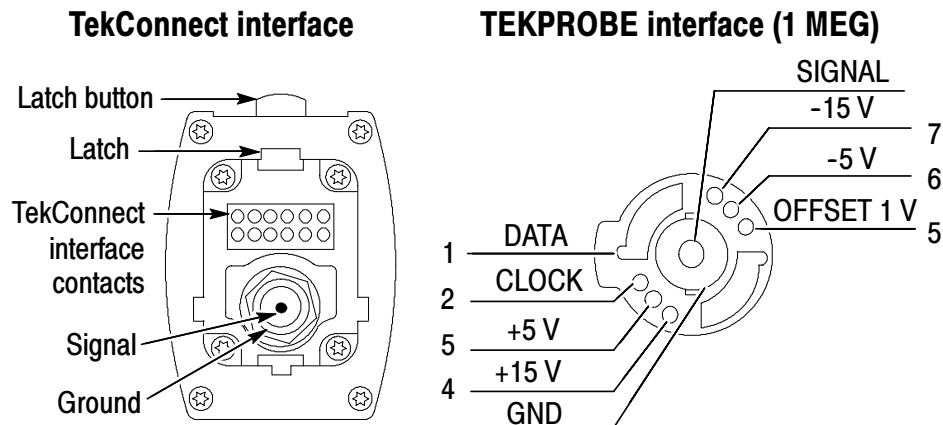


Figure 4: TekConnect and TEKPROBE Interface features

When the TCA-1MEG is connected to the host instrument, the input of the host instrument is set to 1 M Ω . If the TCA-1MEG was previously connected to the host instrument channel, the input coupling and bandwidth limit are set to the settings previously used. If the TCA-1MEG has never been connected to the host instrument channel, the input coupling and bandwidth limit are set to the default TCA-1MEG settings (DC coupling and Full bandwidth).

When a probe is connected to the TCA-1MEG, the host instrument reads its attenuation factor and displays readouts adjusted for the attenuation factor of the probe. The host instrument controls offset if the connected probe requires it.

Operating Characteristics

Although the TCA-1MEG amplifier has no replaceable parts, this functional overview is intended to help you isolate failures to either the probe or the host instrument. Refer to Figure 5 for a simplified block diagram of the amplifier.

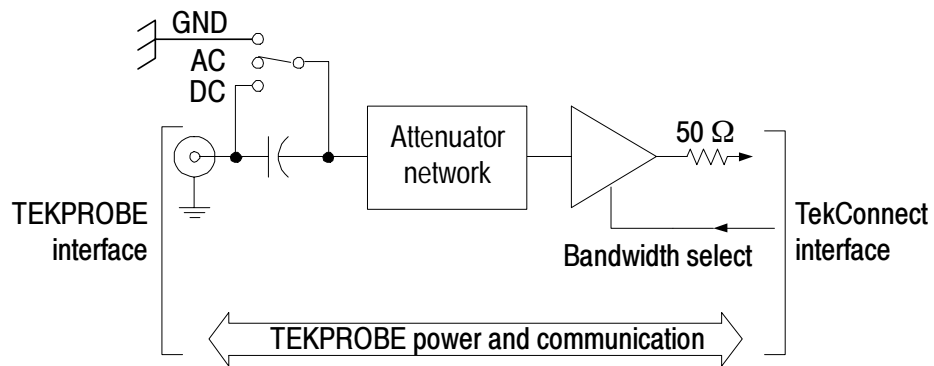


Figure 5: Simplified block diagram

Cleaning

Follow these guidelines for cleaning the TCA-1MEG amplifier.

General Care. Do not use chemical cleaning agents. Avoid using chemicals that contain acetone, benzene, toluene, xylene, or similar solvents because they may damage the plastic.

Clean the exterior surfaces with a dry, lint-free cloth or a soft-bristle brush. If dirt remains, use a cloth or swab dampened with a 75% isopropyl alcohol solution. A swab is useful for cleaning in narrow spaces around the TekConnect release button and connectors. Do not use abrasive compounds on any part of the instrument.



CAUTION. *To avoid permanent damage to the TCA-1MEG while cleaning, use only enough solution to dampen the cloth or swab. The TCA-1MEG is not waterproof.*

Functional Checks

The purpose of these procedures is to confirm that the TCA-1MEG High Impedance Buffer Amplifier functions properly with the host instrument.

Perform a probe calibration (a TCA-1MEG calibration) procedure before performing these functional checks. Refer to *Calibrate the TCA-1MEG to the Host Instrument* on page 16 of this section.

NOTE. *Whoever performs these procedures should be familiar with the basic operation, control, and setup of the TekConnect host instrument, and should refer to the host instrument manual and online help for detailed operating information.*

Perform these functional checks:

- Probe LF Compensation (optional check)
- Vertical Input Coupling
- Bandwidth Limit

TCA-1MEG Readings on the Host Instrument

The TCA-1MEG readings on the host instrument display screen may vary from instrument to instrument.

NOTE. *The output amplitude and frequency shown for the TCA-1MEG will depend on the probe compensation output of the TekConnect host instrument. The output amplitude, frequency, and voltage offset of the host instrument is engraved next to the Probe Compensation output (see Figure 6).*

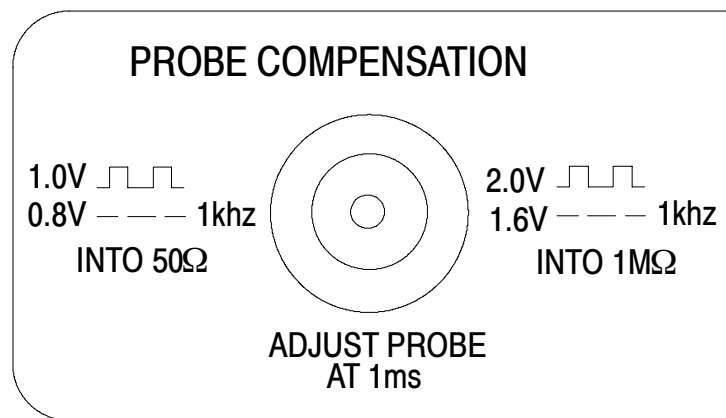


Figure 6: Probe Compensation Output of the TDS6604

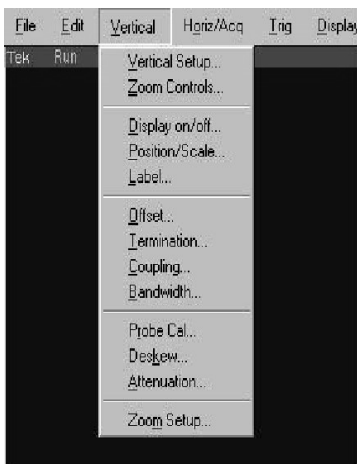
Required Equipment

Required equipment is a TDS6000, TDS7000, or CSA7000 TekConnect instrument, a TCA-1MEG, a BNC-to-BNC 50 Ω coaxial cable, and a nonterminated BNC probe tip adapter (Tektronix part number 103-0226-XX).

NOTE. *Unless specifically directed, do not terminate the probe compensation output of the host instrument or the TCA-1MEG input with a 50 Ω feedthrough terminator.*

Required Software

To ensure compatibility of your TekConnect host instrument with the TCA-1MEG, your host instrument (for example, TDS6000, TDS7000, or CSA7000 series) must have the firmware upgrade V2.1.0 or higher. Upgrade instructions are available on the included CD ROM, or visit our website at www.tek.com and select the *Software and Drivers* link. The Tektronix website provides up-to-date firmware and software upgrades.



The test procedures that follow reference commands available on a TDS6604 Oscilloscope. These commands are similar to the commands that other TekConnect host instruments use. If needed, refer to the user manual and online help supplied with your instrument.

To set up your host instrument to enable quick-setting changes while testing:

1. On the display screen, choose Buttons display.
2. On the front panel, activate Touch Screen.
3. On the Vertical menu, select Vertical Setup. A tabbed panel of Vertical options displays across the bottom of the screen.

Calibrate the TCA-1MEG to the Host Instrument

Perform a probe calibration of the TCA-1MEG to your TekConnect host instrument before you perform the functional checks. A BNC-to-BNC 50 Ω coaxial cable (or suitable equivalent) is required for this procedure.

Test Equipment Hookup.

1. Connect the TCA-1MEG adapter to a channel on your host instrument.
2. Connect a BNC-to-BNC 50 Ω coaxial cable to the BNC input of the TCA-1MEG. Do not terminate the cable with a 50 Ω terminator.
3. Connect the other end of the BNC-to-BNC 50 Ω coaxial cable to the PROBE COMPENSATION connector of the host instrument.

Test Procedure.

Do the following:

1. On the Vertical menu, select Probe Cal. A probe calibration panel appears along the right side of the screen.
2. Select the signal channel that the TCA-1MEG is connected to.
3. Choose Calibrate Probe. This operation may take several minutes. Do not remove the TCA-1MEG or cable during this operation.
4. When probe calibration is complete, the Probe Status field should read Pass. If the field reads Fail, contact the your Tektronix Service representative.
5. Close the probe calibration panel.

LF Probe Compensation (Optional Check)

Variations in the TCA-1MEG input characteristics may require you to adjust the low-frequency compensation of the probe that is connected to the TCA-1MEG. Consider this whenever you connect a different probe to a TCA-1MEG, or when you move a probe from one TCA-1MEG to another.

If a 1 KHz calibrated square wave displayed at 1 ms/division shows significant differences between the leading and trailing edges, perform these steps to optimize low-frequency compensation:

1. Connect the TCA-1MEG to a host instrument channel.
2. Connect the probe to the TEKPROBE input of the TCA-1MEG.
3. Using a nonterminated probe tip adapter, connect the probe to the probe calibration signal on the front panel of the oscilloscope.

NOTE. *After connecting the TCA-1MEG to the host instrument, allow them to warm up for at least twenty minutes before performing the functional checks.*

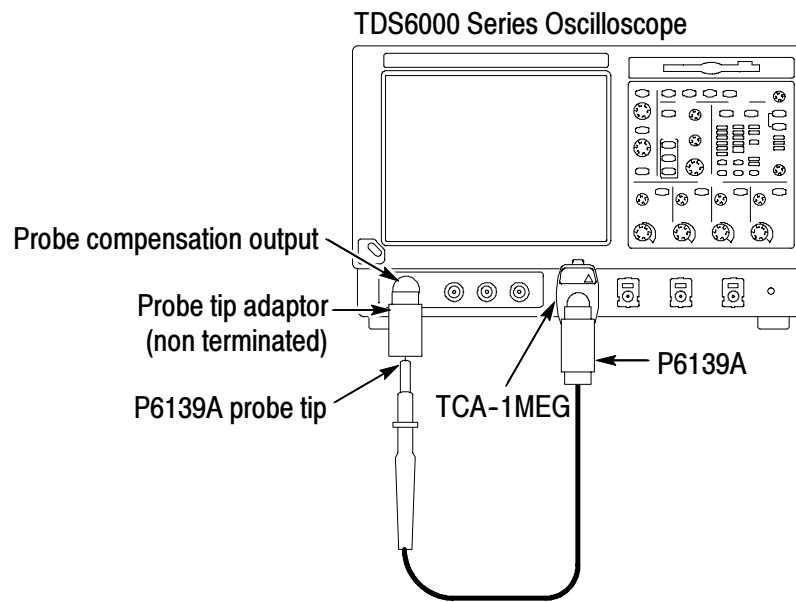


Figure 7: Setup with the P6139A attached to the TCA-1MEG

4. Press AUTOSET or otherwise adjust your host instrument to display a meaningful waveform.
5. On the Vertical menu, select Vertical Setup, and then choose the tab of the channel that the TCA-1MEG is connected to.
 - a. Set coupling to DC. Set trigger level to 50%.
 - b. Set bandwidth to Full.
 - c. Set vertical scale to 100 mV/division.
 - d. Set offset to 1.6.
 - e. Adjust vertical position of the waveform to display on center screen.
 - f. Close the panel.
6. Set horizontal scale to 1.0 ms.

7. On the Horiz/Acq menu, select Horizontal/Acquisition Setup, and then choose the Acquisition tab.
 - a. Set acquisition mode to High Resolution.
 - b. Close the panel.
8. Adjust the trimmer in the probe (accessible through the compensation box) until you see a square wave with a perfectly flat top on the display. Refer to Figure 8, below.



CAUTION. *To avoid damaging the trimmer, use the adjustment tool supplied with your probe. Adjustment tools from some probe models may not be compatible with your probe.*

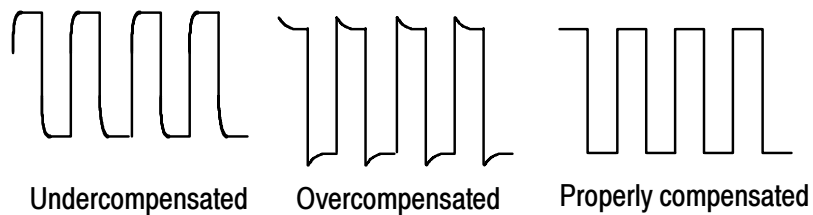


Figure 8: Probe compensation waveforms

Check Vertical Input Coupling

Verify the AC, DC, and GND coupling of the TCA-1MEG.

Test Equipment Hookup. Refer to the hookup shown in Figure 9.

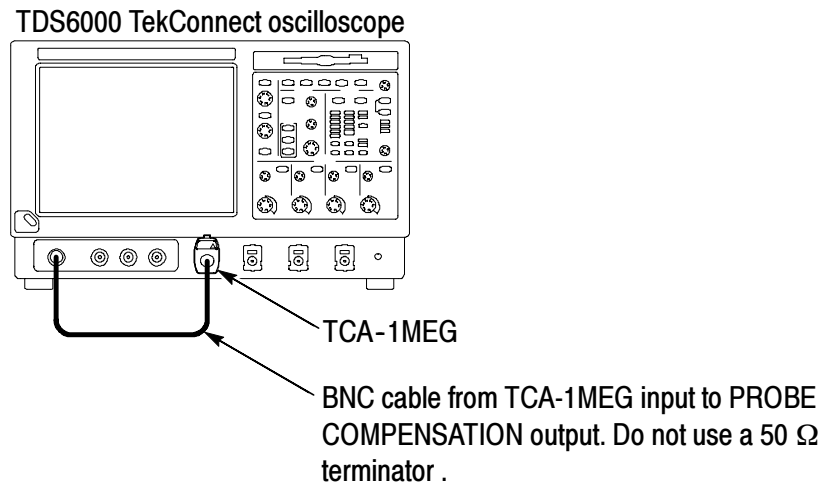


Figure 9: Test equipment hookup for the Vertical Input Coupling and Bandwidth Limit checks

Test Procedure. Do the following:

1. On the front panel of the host instrument, press the button corresponding to the channel the TCA-1MEG is connected to.
2. Push the AUTOSSET button to display a waveform on the screen.
3. If autoset does not set the host instrument to 500 mV/division, manually change vertical V/division to 500 mV.
4. Using the Vertical Position control knob, position the waveform to two divisions above center screen.
5. On the Vertical menu, select Vertical Setup, and then choose the tab of the channel that the TCA-1MEG is connected to.
6. Set coupling to GND.

The resulting waveform should appear as shown in Figure 10, below.

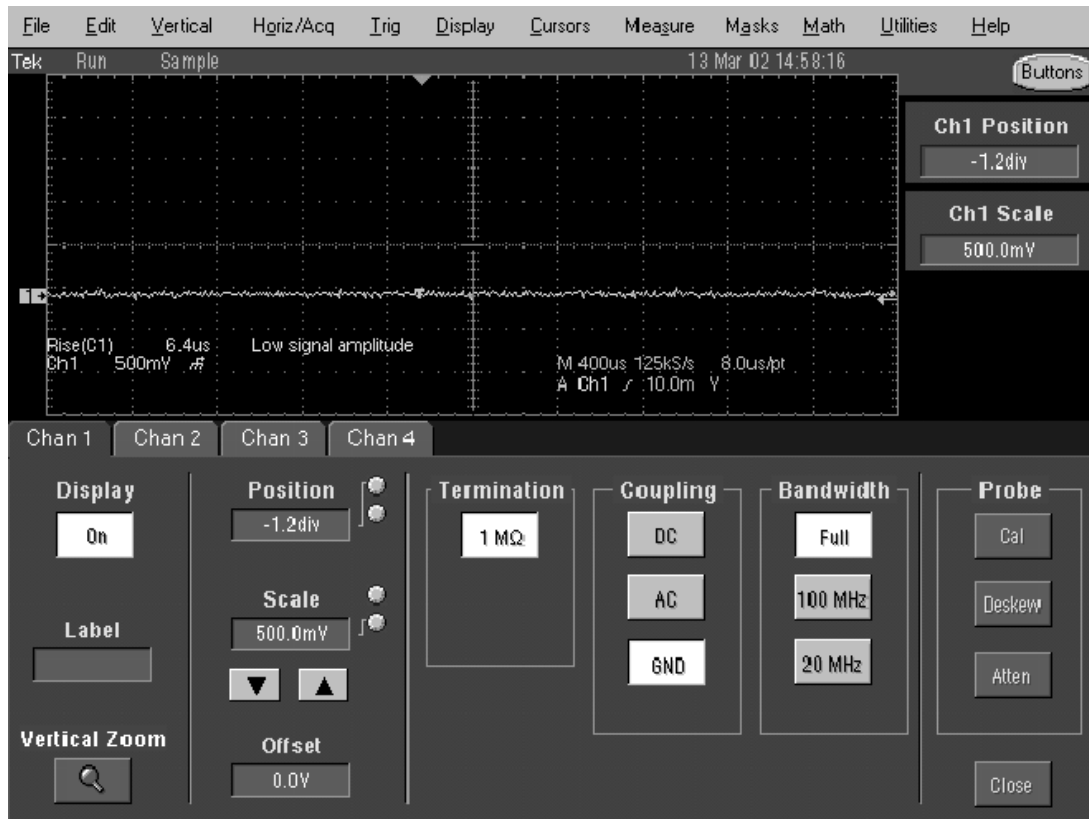


Figure 10: Typical waveform at GND

7. Set Coupling to AC, and set trigger level to 50%.
The resulting waveform should appear as shown in Figure 11 on page 22.

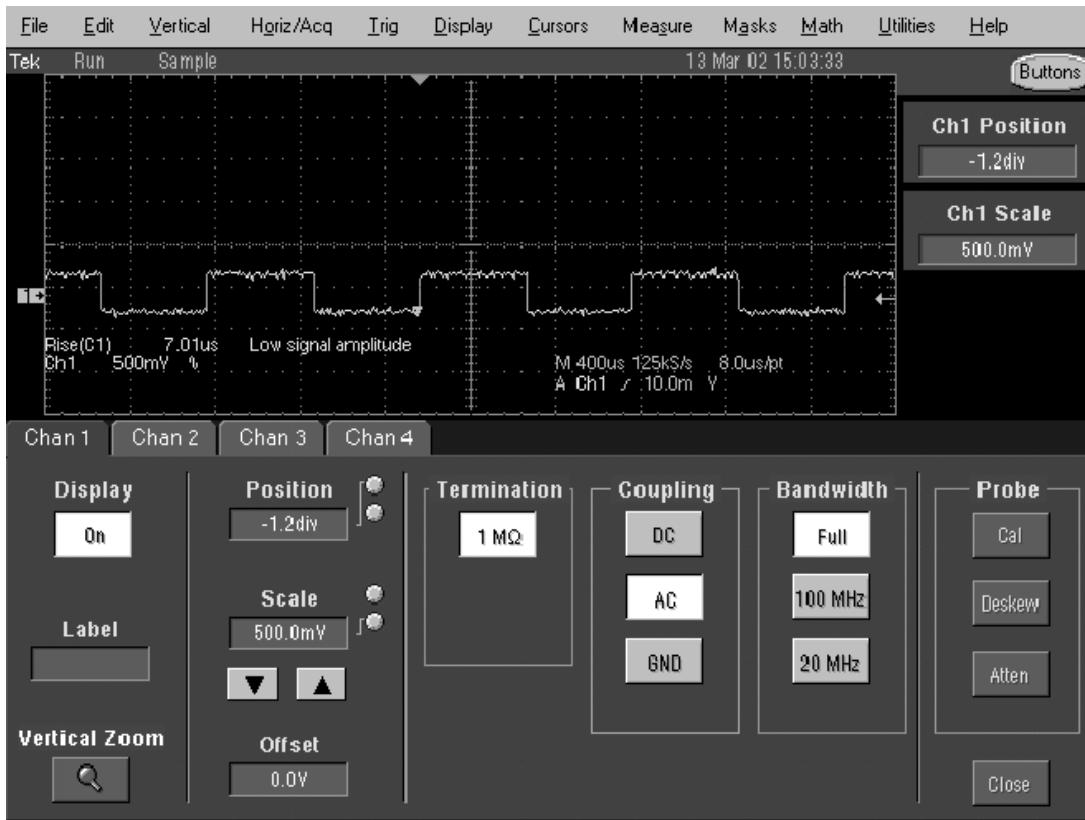


Figure 11: Typical waveform at AC Coupling

8. Set Coupling to DC, and set trigger level to 50%.
The resulting waveform should appear as shown in Figure 12 on page 23.



Figure 12: Typical waveform at DC Coupling

9. Leave the Coupling set to DC.
10. Close the panel.

Check Bandwidth Limit

Verify bandwidth limits at full, 100 MHz, and 20 MHz.

Test Equipment Hookup. Use the same hardware configuration as the Vertical Input Coupling check. Refer to Figure 9 on page 20.

Test Procedure. Do the following:

1. On the front panel of the host instrument, select the channel that the TCA-1MEG is connected to.
2. Set the vertical scale to 200 mV/division.
3. Set the horizontal scale to 40 ns/division.
4. On the Vertical menu, select Vertical Setup, and then choose the tab of the channel that the TCA-1MEG is connected to.
 - a. Set coupling to AC.
 - b. Set bandwidth to Full (500 MHz).
5. Set to trigger at 50%.
6. Set the horizontal position of the leading edge to the left of center screen.

NOTE. *When full bandwidth is set, overshoot and ringing on the signal is normal and does not indicate problems with the TCA-1MEG.*

The resulting waveform should appear as shown in Figure 13 on page 25.

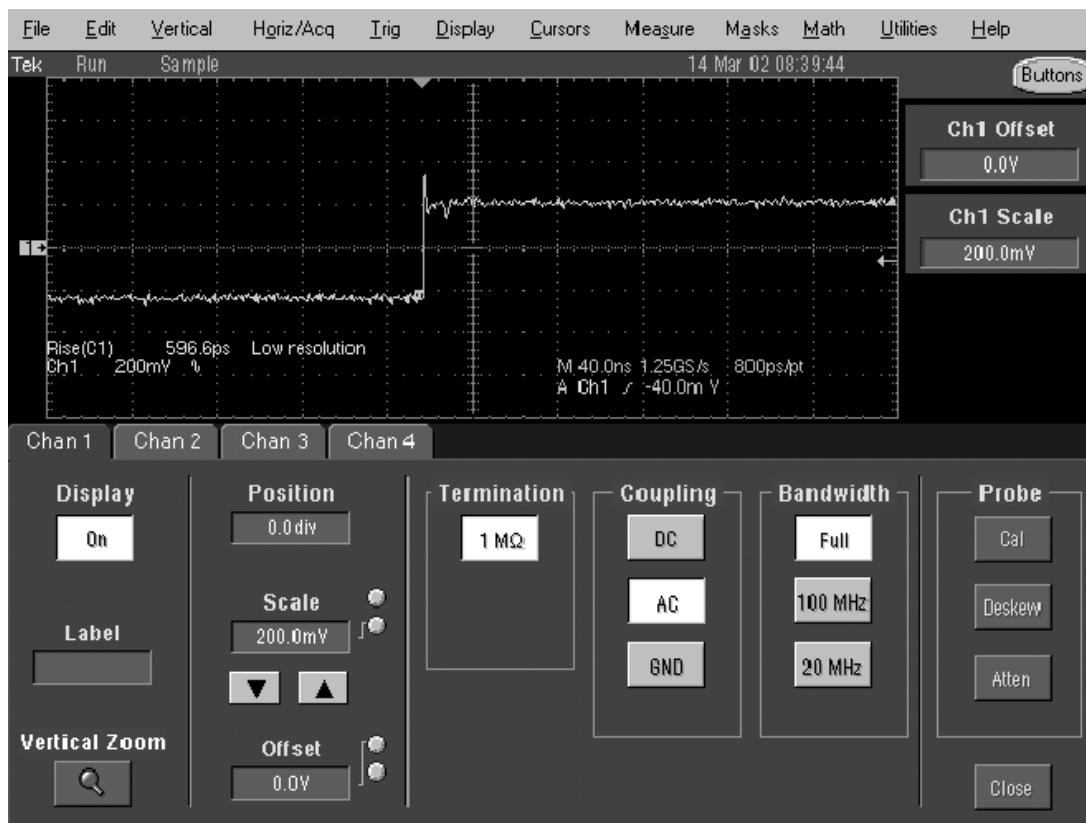


Figure 13: Typical waveform at Full (500 MHz) bandwidth

7. Set bandwidth to 100 MHz.

NOTE. When 100 MHz bandwidth is set, the signal risetime increases and overshoot and ringing decreases.

The resulting waveform should appear as shown in Figure 14 on page 26.

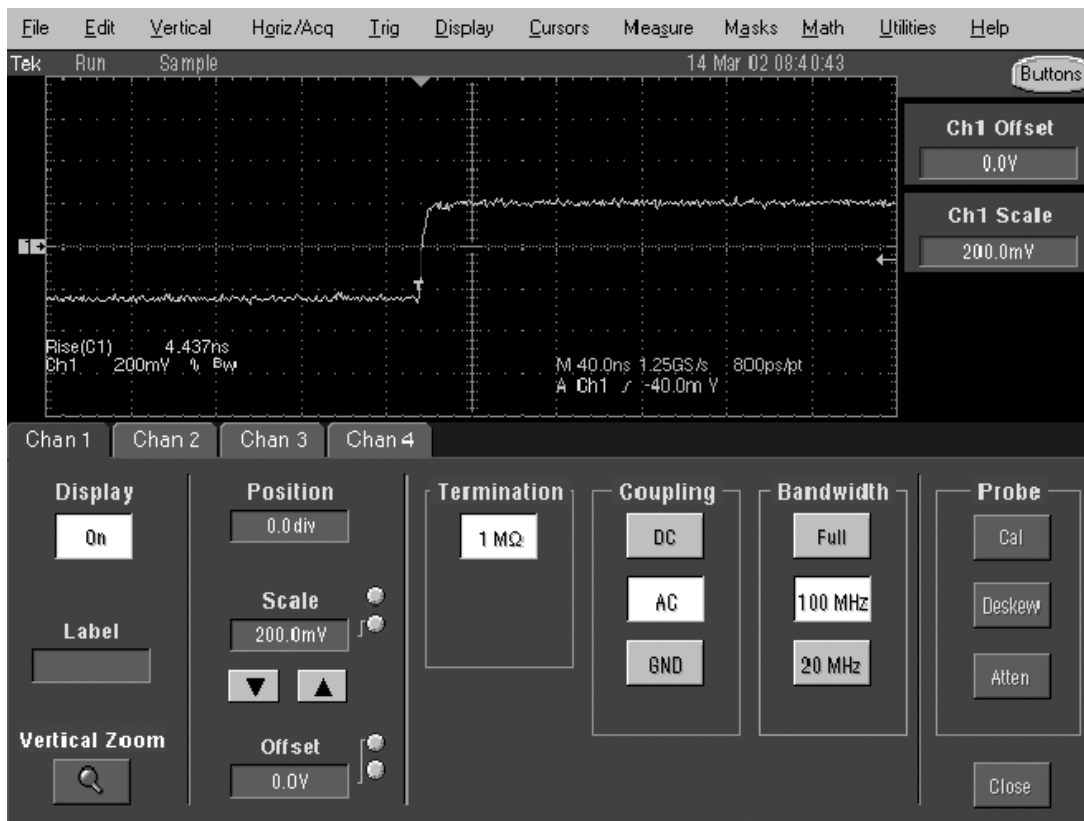


Figure 14: Typical waveform at 100 MHz bandwidth

8. Set bandwidth to 20 MHz.

NOTE. When the 20 MHz bandwidth limit is set, signal risetime is near 15 ns.

The resulting waveform should appear as shown in Figure 15 on page 27.

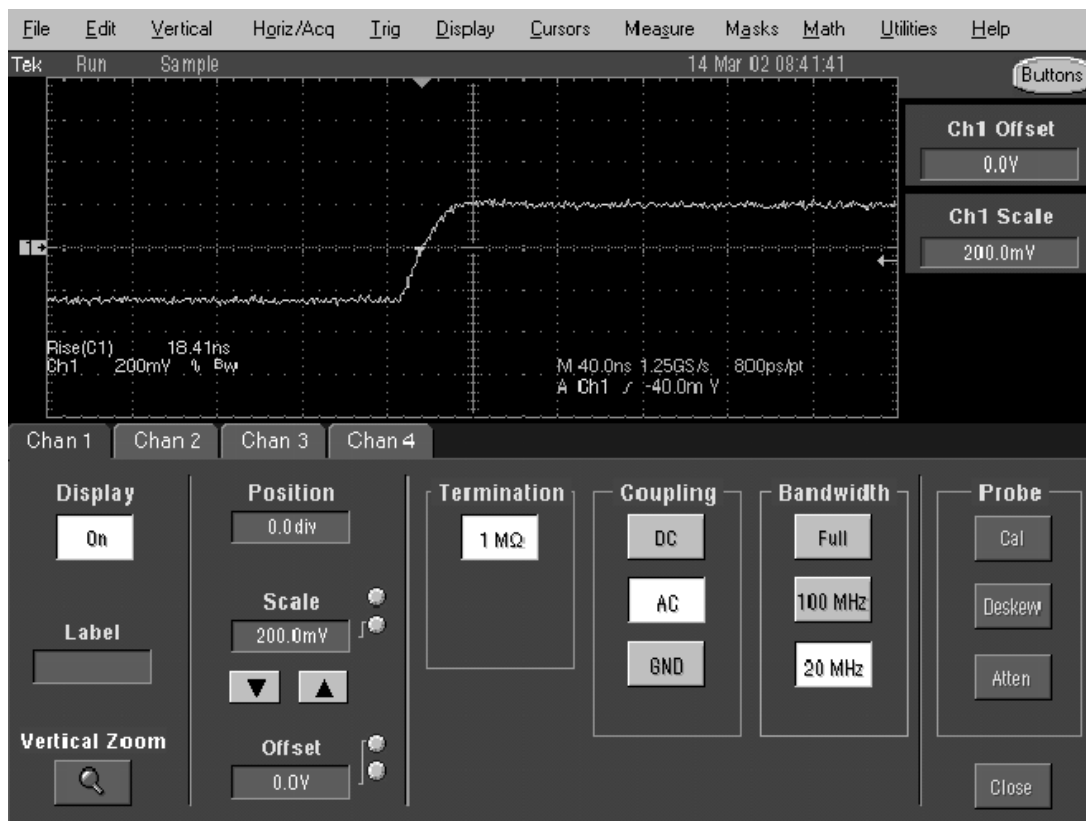


Figure 15: Typical waveform at 20 MHz bandwidth

9. After completing the bandwidth limit checks, do the following:
 - a. Set bandwidth to Full.
 - b. Set coupling to DC.
 - c. Press AUTOSSET.
 - d. Close the panel.

Specifications

These specifications apply to the TCA-1MEG High Impedance Buffer Amplifier TekConnect adapter used with Tektronix TekConnect host instruments.

Specifications for the TCA-1MEG fall into three categories: warranty, typical, and nominal characteristics. Performance Verification procedures are provided in the *Performance Verification* section for specifications marked with the ✓ symbol in Table 2.

Specifications



CAUTION. To prevent damage to the TCA-1MEG, do not apply voltages that are beyond the input voltage rating for the TCA-1MEG specified in Table 2.

Table 2: Warranted electrical specifications

Characteristic	Description
✓ Bandwidth (TCA-1MEG only), at -3dB, 100 mV/division with 50 Ω termination	≥500 MHz when used with a Tektronix host instrument that has ≥1.5 GHz bandwidth. 100 MHz bandwidth limit ± 25% 20 MHz bandwidth limit ± 25%
Attenuation	Maximum sensitivity to 10 V/division in 1-2-5 sequence on a Tektronix host instrument
Input Capacitance	10pF ± 2pF
Input Resistance, DC Coupled	1MΩ ±1% at DC 1MΩ ±10% at V _{in} > 50 V
P6139A Probe tip Bandwidth with TCA-1MEG, at 100 mV/division	≥500 MHz with TCA-1MEG connected to a Tektronix 50 Ω host instrument that has ≥1.5 GHz bandwidth.

Table 2: Warranted electrical specifications (Cont.)

Characteristic	Description
Input Voltage Rating ¹ (with TCA-1MEG or a 1X probe)	150 V, CAT 1

¹ **RMS voltage limited to ≤ 150 V for arbitrary waveshapes including DC. For pulse widths less than 50 μ s, 400 Vpk, <30% DF. RMS = Root Mean Square = rms = the square root of the average of the sum of the squares of the instantaneous voltage in one cycle = $\sqrt{\sum (fx_i)^2 / n}$**

Table 3: Typical electrical characteristics

Characteristic	Description
Linear dynamic range	The lesser of ± 5 divisions or the dynamic range of the TekConnect host instrument.
Bandwidth (TCA-1MEG only)	≥ 500 MHz when used with a TekConnect host instrument that has ≥ 1.5 GHz bandwidth 100 MHz \pm 25% 20 MHz \pm 25%
Linearity	$\pm 0.2\%$
Full bandwidth small signal risetime (TCA-1MEG only)	800 ps calculated from 0.40 / measured bandwidth
AC Coupling (LF 3dB cutoff frequency)	≤ 10 Hz with TCA-1MEG ≤ 1 Hz with P6139A probe attached
DC Offset Drift	600 μ V/ $^{\circ}$ C or less at output of TCA-1MEG
Displayed system input offset	± 0.2 divisions or less, when used within ± 5 $^{\circ}$ C of calibrated temperature for V/division settings ≥ 10 mV/division
Propagation Delay	≤ 2 ns

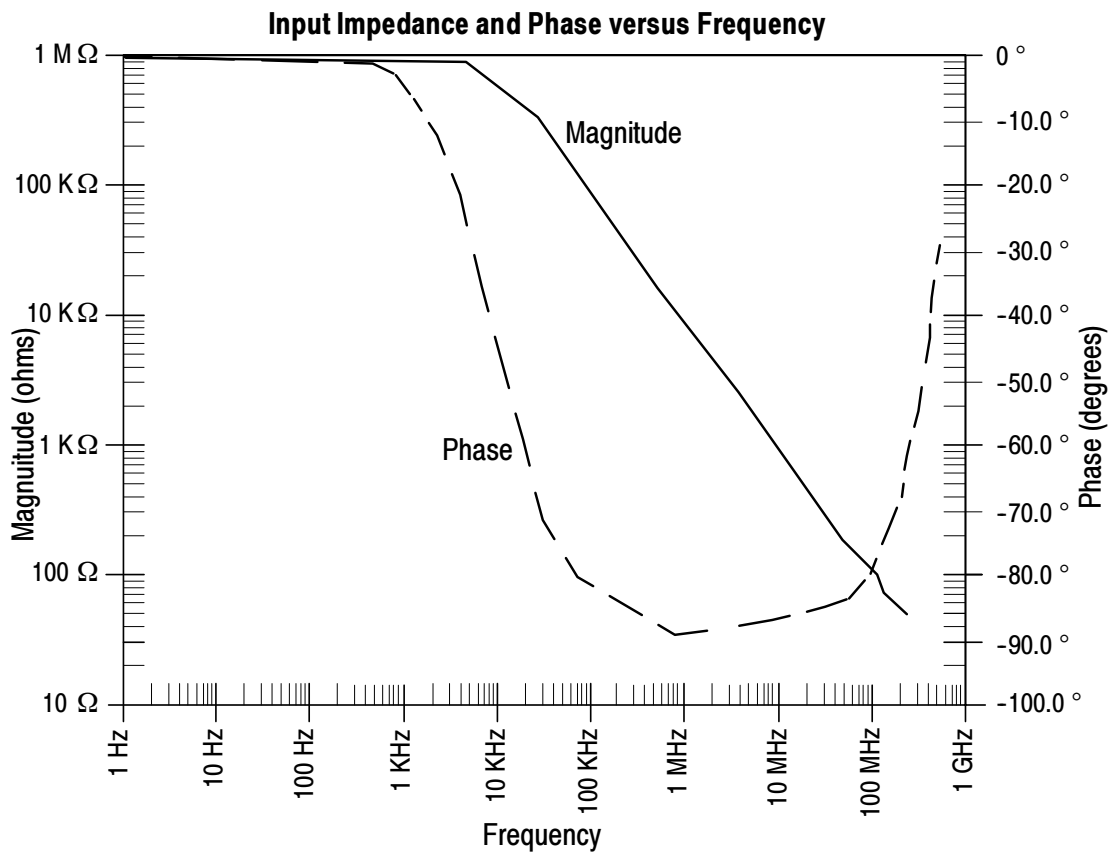


Figure 16: Typical Input Impedance and Phase versus Frequency

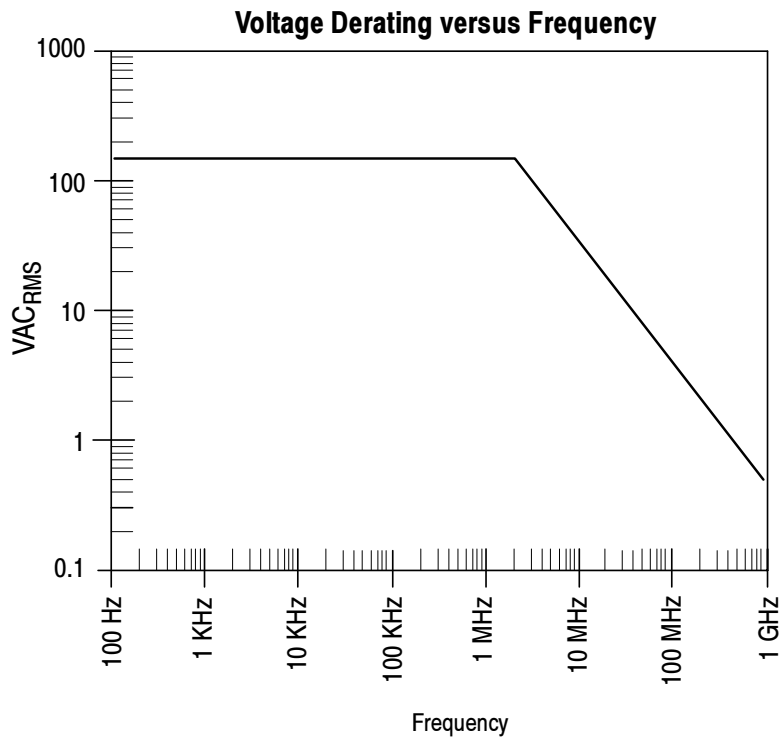


Figure 17: Voltage Derating versus Frequency

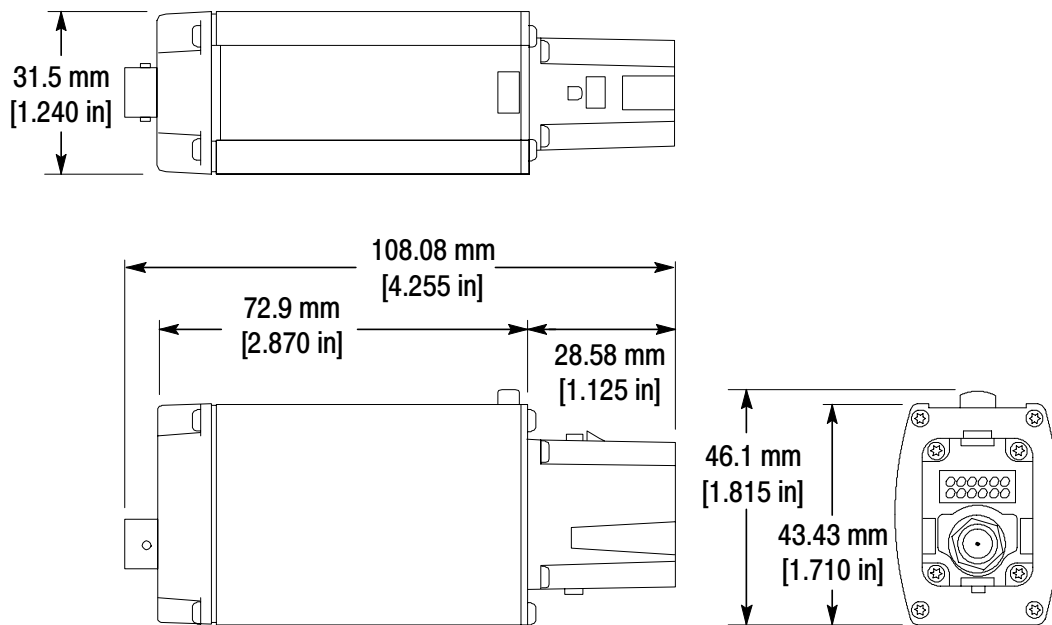


Figure 18: TCA-1MEG dimensions

Table 4: Physical characteristics

Characteristic	Description
Unit weight (TCA-1MEG)	5.5 oz (155 g) net

Table 5: Environmental characteristics

Characteristic	Description
Operating Temperature	+ 32 °F to + 122 °F (0 °C to + 50 °C)
Humidity	≤80% relative humidity through the entire operating range
Altitude	Operating: 9,842 ft (3,000 m) Nonoperating: 50,000 ft (15,240 m)

Table 6: Certifications and compliances

Category	Standards or description
EMC Compliance	Meets the intent of Directive 89/336/EEC for Electromagnetic Compatibility when it is used with the product(s) stated in the specifications table. Refer to the EMC specification published for the stated products. May not meet the intent of the directive if used with other products.
FCC Compliance	Emissions comply with FCC Code of Federal Regulations 47, Part 15, Subpart B, Class A Limits.
EC Declaration of Conformity - Low Voltage	Compliance was demonstrated to the following specification as listed in the Official Journal of the European Communities: Low Voltage Directive 73/23/EEC, amended by 93/68/EEC EN 61010-1/A2:1995 Safety requirements for electrical equipment for measurement, control, and laboratory use.
U.S. Nationally Recognized Testing Laboratory Listing	UL3111-1 Standard for electrical measuring and test equipment.
Canadian Certification	CAN/CSA C22.2 No. 1010.1 Safety requirements for electrical equipment for measurement, control, and laboratory use.

Table 6: Certifications and compliances (cont.)

Category	Standards or description
Additional Compliance	<p>ISA S82.02.01:1999 Safety standard for electrical and electronic test, measuring, controlling, and related equipment.</p> <p>IEC61010-1/A2:1995 Safety requirements for electrical equipment for measurement, control, and laboratory use.</p>
Installation (Overvoltage) Category Descriptions	<p>Terminals on this product may have different installation (overvoltage) category designations. The installation categories are:</p> <p>CAT III Distribution-level mains (usually permanently connected). Equipment at this level is typically in a fixed industrial location.</p> <p>CAT II Local-level mains (wall sockets). Equipment at this level includes appliances, portable tools, and similar products. Equipment is usually cord-connected.</p> <p>CAT I Secondary (signal level) or battery operated circuits of electronic equipment.</p>

Table 6: Certifications and compliances (cont.)

Category	Standards or description
Pollution Degree Descriptions	<p>A measure of the contaminates that could occur in the environment around and within a product. Typically the internal environment inside a product is considered to be the same as the external. Products should be used only in the environment for which they are rated.</p> <p>Pollution Degree 1 No pollution or only dry, nonconductive pollution occurs. Products in this category are generally encapsulated, hermetically sealed, or located in clean rooms.</p> <p>Pollution Degree 2 Normally only dry, nonconductive pollution occurs. Occasionally a temporary conductivity that is caused by condensation must be expected. This location is a typical office/home environment. Temporary condensation occurs only when the product is out of service.</p> <p>Pollution Degree 3 Conductive pollution, or dry, nonconductive pollution that becomes conductive due to condensation. These are sheltered locations where neither temperature nor humidity is controlled. The area is protected from direct sunshine, rain, or direct wind.</p> <p>Pollution Degree 4 Pollution that generates persistent conductivity through conductive dust, rain, or snow. Typical outdoor locations.</p>
Equipment Type	Test and measuring
Safety Class	Class 1 (as defined in IEC 61010-1, Annex H) - grounded product
Pollution Degree	Pollution Degree 2 (as defined in IEC 61010-1). Note: Rated for indoor use only.



WARNING

The following servicing instructions are for use only by qualified personnel. To avoid injury, do not perform any servicing other than that stated in the operating instructions unless you are qualified to do so. Refer to all safety summaries before performing any service.

Performance Verification

Use the following procedure to verify that the TCA-1MEG High Impedance Buffer Amplifier meets the warranted specification marked with a ✓ in Table 2 of the *Specifications* section.

Perform a probe calibration (a TCA-1MEG calibration) procedure before performing this test. Refer to page 16 of the *Functional Checks* section for the probe calibration procedure.

Verify this specification:

- TCA-1MEG System Bandwidth

Before beginning this procedure, photocopy the test record on page 43, and use it to record the performance test results.

The equipment in Table 7, or a suitable substitute, is required for testing the TCA-1MEG.

Table 7: Equipment required for performance verification

Description	Minimum requirements	Examples
Oscilloscope	TCA-1MEG in a Tektronix TekConnect Oscilloscope with a bandwidth $\geq 1.5\text{GHz}$	TDS6000, TDS7000, or CSA7000 TekConnect instruments
50 Ω coaxial cable	Connects BNC input of the TCA-IMEG to the PROBE COMPENSATION connection on the front panel of the host instrument.	Tektronix part number 012-0057-XX
Leveled sine wave generator	50 KHz to 500 MHz $\pm 3\%$ amplitude accuracy	Wavetek 9500 ¹
50 Ω feedthrough termination	BNC connectors	Tektronix part number 011-0049-XX

¹ **Wavetek 9500 Oscilloscope Calibrator with two 9510 Output Modules.**

Required Software

To ensure compatibility of your TekConnect host instrument with the TCA-1MEG, your host instrument (for example, TDS6000, TDS7000, or CSA7000 series) must have the firmware upgrade V2.1.0 or higher. Upgrade instructions are available on the included CD ROM, or visit our website at www.tek.com and select the *Software and Drivers* link.

NOTE. *The test procedure references commands available on a TDS6604 Oscilloscope. These commands are similar to commands that other TekConnect host instruments use. If needed, refer to the user manual and online help supplied with your instrument.*

TCA-1MEG System Bandwidth

This test verifies the system bandwidth.

Test Equipment Hookup. Connect the TCA-1MEG to a channel of the host instrument. Use a 50 Ω coaxial cable and 50 Ω BNC feed-through termination to connect the output of the leveled sine wave generator to the input of the TCA-1MEG. Refer to Figure 19, below.

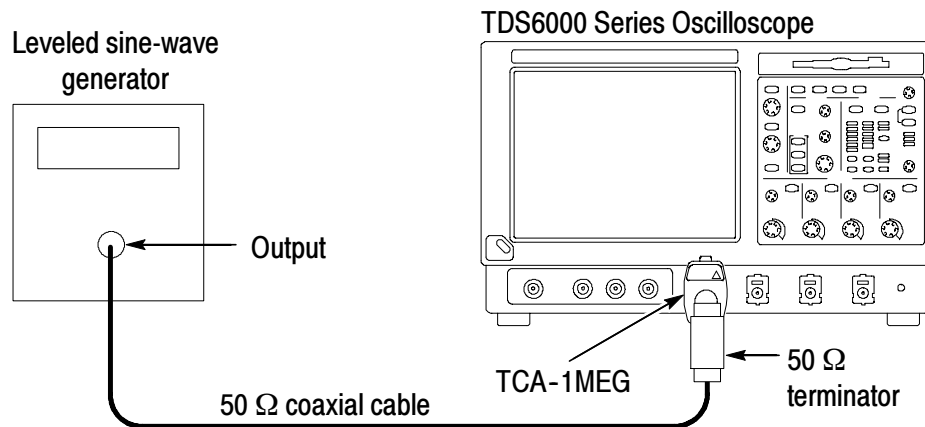


Figure 19: TCA-1MEG System Bandwidth equipment hookup

System Bandwidth Test Procedure. Use these instructions for testing the TCA-1MEG system bandwidth.

1. Set the signal generator to a reference frequency of 50 KHz, setting the initial output level to display a waveform.
2. Push AUTOSET to display a waveform on host instrument screen.
3. On the Horiz/Acq menu, select Horizontal/Acquisition Setup, and then select the Acquisition tab.
 - a. Set acquisition to Average.
 - b. Adjust the number of averages to 16.
 - c. Close the panel.
4. Use the Trigger area of the front panel to:
 - a. Set trigger source to the channel where the TCA-1MEG is connected.
 - b. Set trigger coupling to DC.
 - c. Set trigger slope to Positive.
 - d. Set trigger mode to Auto.
5. On the Measure menu, select Measurement Setup, select Amplitude, and then select Peak to Peak.
6. On the Vertical menu, select Vertical Setup, choose the tab for the channel where the TCA-1MEG is connected, and then set vertical coupling to DC.
7. Use the vertical scale knob to set the channel to 100 mV/division.
8. Perform steps 9 through 13 for each of these vertical bandwidth settings of the host instrument:
 - a. Full
 - b. 100 MHz
 - c. 20 MHz
9. On the Vertical Setup panel, set the vertical bandwidth that you are testing (refer to step 8, above).

10. Set the horizontal scale to 10 μ s/division.
11. On the leveled sine wave generator, do the following:
 - a. Set the output frequency to 50 KHz.
 - b. Adjust the output amplitude until the peak-to-peak measurement displaying on the oscilloscope screen is between 599 mV and 601 mV.
12. On the leveled sine wave generator, set the output frequency according to the bandwidth limit you are testing:
 - a. For bandwidth limit set to Full, set the sine wave generator to 500 MHz. Set the horizontal scale of the oscilloscope to 5 ns/division. Record the measured value.
 - b. For bandwidth limit set to 100 MHz,
 - Set the sine wave generator to 75 MHz. Set the horizontal scale of the oscilloscope to 10 ns/division. Record the measured value.
 - Set the sine wave generator to 125 MHz. Record the measured value.
 - c. For bandwidth limit set to 20 MHz,
 - Set the sine wave generator to 15 MHz. Set the horizontal scale of the oscilloscope to 20 ns/division. Record the measured value.
 - Set the sine wave generator to 25 MHz. Record the measured value.
13. Verify that the peak-to-peak measurement of the oscilloscope meets the specification listed on the TCA-1MEG Test Record - System bandwidth verification.

NOTE. *If the results of these tests do not meet the specifications listed on the TCA-1MEG Test record, contact your Tektronix Service representative.*

Use this test record to record the test results of the TCA-1MEG System Bandwidth tests.

TCA-1MEG Test Record

Instrument Serial Number: _____	Certificate Number: _____
Temperature: _____	RH %: _____
Date of Calibration: _____	Technician: _____
Input Amplitude (600 mV): _____	

System bandwidth verification

Input voltage	Specification ¹	Measured as
Full (500 MHz)	$\geq 425 \text{ mV}_{\text{p-p}}$	
100 MHz limit min. 75 MHz	$\geq 425 \text{ mV}_{\text{p-p}}$	
max. 125 MHz	$\leq 425 \text{ mV}_{\text{p-p}}$	
20 MHz limit min. 15 MHz	$\geq 425 \text{ mV}_{\text{p-p}}$	
max. 25 MHz	$\leq 425 \text{ mV}_{\text{p-p}}$	

¹ The 425 mV specification limit is based on a 600 mV input level.
-3 dB voltage level = input voltage x 70.7%,
calculated as $425 \text{ mV} = 600 \text{ mV} \times 0.707$

Replaceable Parts

This section contains a list of replaceable parts for the TCA-1MEG High Impedance Buffer Amplifier. Use this list to identify and order replacement parts.

Parts Ordering Information

Replacement parts are available from or through your local Tektronix, Inc. service center or representative.

Changes to Tektronix instruments are sometimes made to accommodate improved components as they become available and to give you the benefit of the latest circuit improvements. Therefore, when ordering parts, it is important to include the following information in your order:

- Part number
- Instrument type or model number
- Instrument serial number
- Instrument modification number, if applicable

If a part you order has been replaced with a different or improved part, your local Tektronix service center or representative will contact you concerning any change in the part number.

Using the Replaceable Parts List

The tabular information in the Replaceable Parts List is arranged for quick retrieval. Understanding the structure and features of the list will help you find the information you need for ordering replacement parts.

Item Names

In the Replaceable Parts List, an Item Name is separated from the description by a colon (:). Because of space limitations, an Item Name may sometimes appear as incomplete. For further Item Name identification, U.S. Federal Cataloging Handbook H6-1 can be used where possible.

Indentation System

This parts list is indented to show the relationship between items. The following example is of the indentation system used in the Description column:

<i>1</i>	<i>2</i>	<i>3</i>	<i>4</i>	<i>5</i>	<i>Name & Description</i>
					<i>Assembly and/or Component</i>
					<i>Attaching parts for Assembly and/or Component</i>
					<i>(END ATTACHING PARTS)</i>
					<i>Detail Part of Assembly and/or Component</i>
					<i>Attaching parts for Detail Part</i>
					<i>(END ATTACHING PARTS)</i>
					<i>Parts of Detail Part</i>
					<i>Attaching parts for Parts of Detail Part</i>
					<i>(END ATTACHING PARTS)</i>

Attaching parts always appear at the same indentation as the item it mounts, while the detail parts are indented to the right. Indented items are part of, and included with, the next higher indentation. Attaching parts must be purchased separately, unless otherwise specified.

Abbreviations

Abbreviations conform to American National Standards Institute (ANSI) standard Y1.1

Manufacturers cross index

Mfr. code	Manufacturer	Address	City, state, zip code
80009	TEKTRONIX INC	14150 SW KARL BRAUN DR PO BOX 500	BEAVERTON, OR 97077-0001

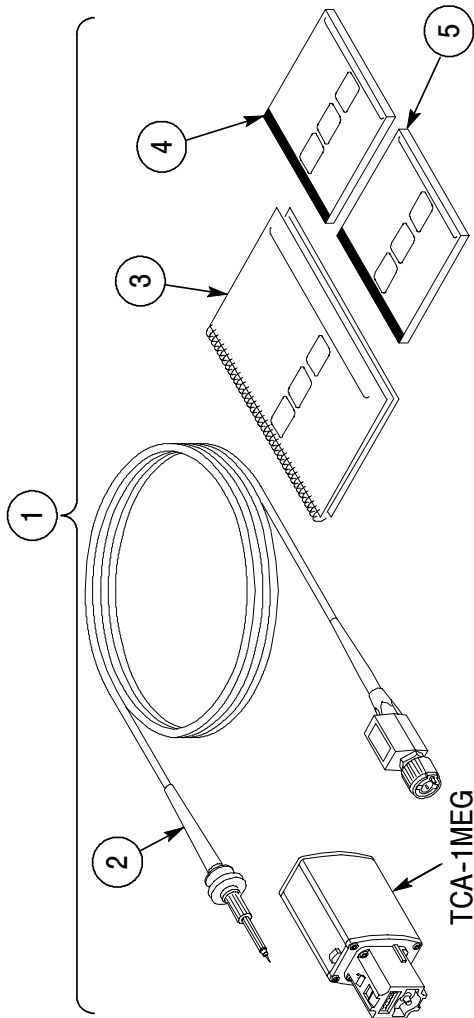


Figure 20: TCA-1MEG replaceable parts

Fig. & index no.	Tektronix part no.	Serial no. Effective Dscont	Qty	12345 name & description	Mfr. code	Mfr. part no.
20-1	TCA-1MEG		1	TCA-1MEG AMPLIFIER, HIGH IMPEDANCE BUFFER, 1MEGOHM / 10PF, TEKPROBE BNC-TO-TEKCONNECT, with P6139A	80009	TCA-1MEG
STANDARD ACCESSORIES						
-2	P6139A		1	P6139A 10X PASSIVE PROBE; STANDARD ACCESSORIES	80009	P6139A
-3	071-1010-XX		1	MANUAL, TECH:INSTRUCTION,TCA-1MEG	80009	071-1010-XX

Fig. & index no.	Tektronix part no.	Serial no. Effective Dscont	Qty	12345 name & description	Mfr. code	Mfr. part no.
-4	063-3541-XX		1	SOFTWARE PKG; PRODUCT SOFTWARE, CD, V2.1.0; TDS6000 SERIES	80009	063-3541-XX
-5	063-3461-XX		1	SOFTWARE PKG; PRODUCT SOFTWARE, CD, V2.1.0; TDS7000 SERIES	80009	063-3461-XX

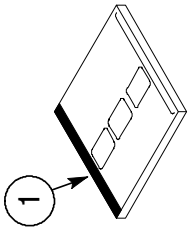


Figure 21: TCA-1MEG optional accessories

Fig. & index no.	Tektronix part no.	Serial no. Effective	Dscont	Qty	12345 name & description	Mfr. code	Mfr. part no.
21 1	063-3376-XX			1	OPTIONAL ACCESSORIES TDS7000 SERIES APPLICATIONS SOFTWARE PKG, PRODUCT CD	80009	063-3376-XX